



BROWN INTERNATIONAL CORPORATION, LLC

MODEL 2301

CITRUS PEEL SHAVER

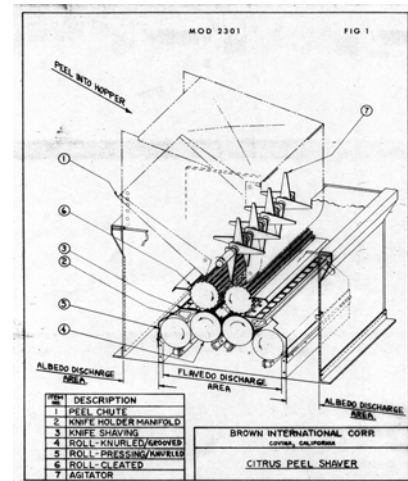
APPLICATIONS: The Brown Model 2301 Citrus Shaver is used to recover oil from citrus peel and to prepare the peel for subsequent processing into pectin, candied peel and marmalade at rates of up to two tons of peel per hour.



The function of the machine is to shave the peel to remove rag or separate various amounts of albedo (white layer) from the flavedo (colored layer) of the peel. The essential oil is recovered from the flavedo, which contains the oil sacs. The albedo is used for pectin production and other products.

The machine is symmetrical about a vertical plane through the agitator, which appears as item 7 on the drawing. Each half of the machine consists of a cleated roll (item 6), knives (item 3), mounted on a manifold (item 2), a knurled roll (item 4), and a smooth roll (item 5). The agitator and each roll is fitted with a sprocket and connected by chain to a 5 H.P. electric motor.

OPERATION: Peel quarters are dropped at random into the hopper. The agitator lifts the peel and lets it drop between the pair of cleated rolls. When properly presented, the cleats of one roll will imbed into the albedo portion of the peel. The cleated roll carries the peel on its circumference to the minimum clearance point with the knurled roll. As the rolls diverge, a knife is positioned so as to separate the albedo or any portion thereof from the flavedo. After shaving, a stripper removes the albedo from the cleated roll and discharges it over the top of the manifold. The flavedo is carried by the knurled roll into a diverging passage with the manifold into a conjunction between the knurled roll and the pressing roll. Water is added and as the essential oil sacs are broken, the water captures the oil to form an oil emulsion.



The mixture of pressed flavedo and oil emulsion is conveyed to a screening device (finisher) which removes the pressed flavedo. The oil-water emulsion is centrifuged to recover the essential oil.

SPECIFICATIONS: Model 2300

Overall length	50-1/4"	Capacity - input	2 tons/hr citrus peel
Overall width	36-1/2"	Horsepower std. drive	2 or 3
Overall height	32-1/8"		

BROWN INTERNATIONAL CORPORATION, LLC

333 Avenue M, N.W.
P.O. Box 713
Winter Haven, FL 33882



Phone: 863-299-2111
Fax: 863-294-2688
Email: info@brown-intl.com

www.brown-intl.com